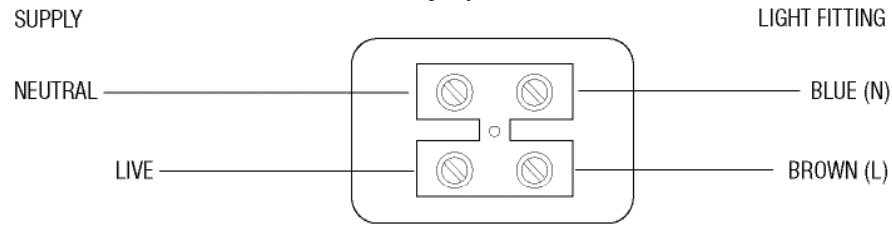


Wiring

Having correctly identified the wiring from your existing light fitting, connect to the approved outdoor rated or approved double insulated terminal block in the following way:

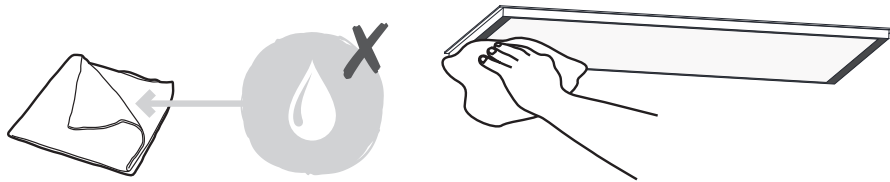


Check that...

- You have correctly identified the wires.
- The connections are tight.
- No loose strands have been left out of the terminals.

Care and Safety

- We recommend cleaning with a soft dry cloth. Do not use solvents or abrasive cleaners as these could damage the finish.
- Always disconnect the product from mains at least 10 minutes allowing to cool down before any maintenance or adjustment.



Instruction leaflet

Sirio Frame Recessed

78546



Iss .1 11/09/2018

CE

saxby
lighting

Thank you for purchasing this light fitting. Please read the instructions carefully before use to ensure safe and satisfactory operation of this product. Please retain these instructions for future reference.

Warning

Please read these instructions carefully before commencing any work.

This unit must be fitted by a competent and qualified electrician.

Install in accordance with IEE Wiring regulations and current Building Regulations.

Check the pack and make sure you have all of the parts listed.

To prevent electrocution switch off at mains supply before installing or maintaining this fitting. Ensure other persons cannot restore the electrical supply without your knowledge.

This light fitting should be connected to a fused circuit.

If replacing an existing fitting, make a careful note of the connections.

This system contains non-replaceable parts and cannot be serviced. If damage occurs the part should be scrapped.

The mains supply cable must have a minimum cross sectional area of 1.0mm².

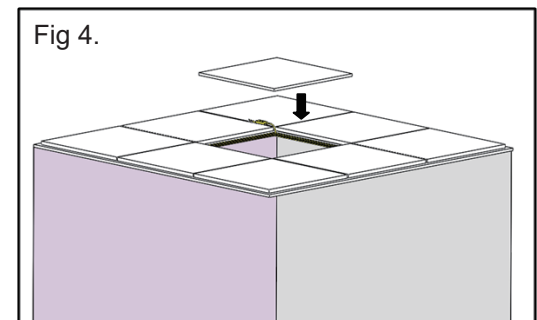
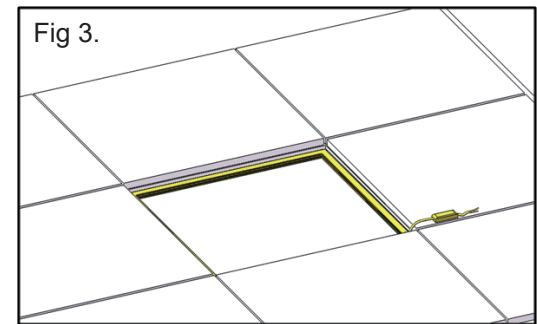
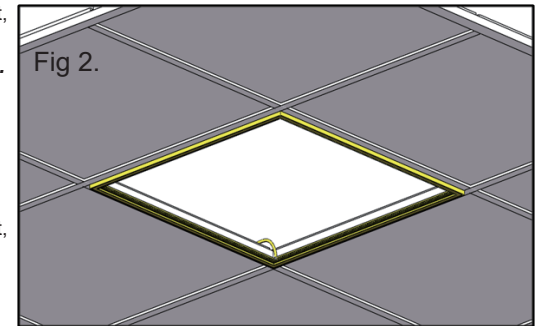
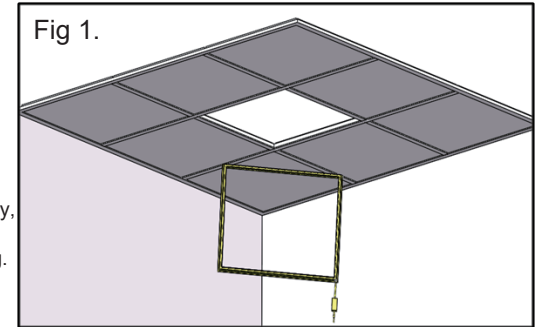
Ensure that there is adequate ventilation for the LED Driver.

Waste electrical products should not be disposed of with household waste. Please recycle where facilities exist. Check with your local authority or retailer for recycling advice.





Installation

Existing fittings must be completely removed before installation of a new product. Before removing the existing fitting, carefully note the position of each set of wires.

- Note that the switch is turned off before installation.
- The ceiling surface must be flat and smooth to ensure a good fit.
- Plan the desired layout of these fittings carefully, ensuring the cables will reach the distances between the power supply and each light fitting.
- Avoid locating any cables in positions that would cause a hazard. Position cables and junction boxes (not supplied) away from areas where they may be at risk from being cut, trapped or damaged.
- Put the frame light upon the ceiling. **See Fig 1.**
- lay the frame flat on the keel, the luminous face should be facing down. **See Fig 2.**
- Wire and driver should be put on the side ceiling and the driver should be connected to the power supply. **See Fig 3.**
- Placing one ceiling board flat on the frame light, be careful not to press on the wire. **See Fig 4.**
- Switch on. Your light is now ready for use.



Technical data

Supply Voltage:	240V~, 50 Hz
Bulb Type:	LED (40 W) 4014 module 4000K
	The light source of this luminaire is not replaceable; when the light source reaches its end of life the whole luminaire shall be replaced.
	Conformity with all relevant EC Directive requirements.
	Waste electrical products should not be disposed of with household waste. Please recycle where facilities exist. Check with your Local Authority or local store for recycling advice.
	The power supply is Double Insulated and does not require connection to an Earth circuit.
	This product is not suitable for dimming.
IP20	